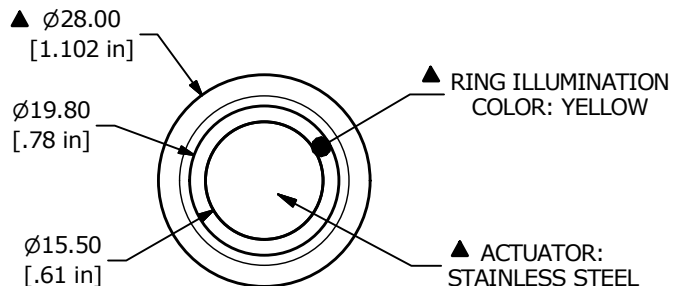


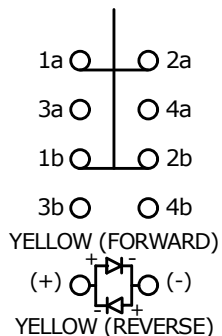
RECOMMENDED PANEL CUTOUT
MAX. PANEL THICKNESS 10mm



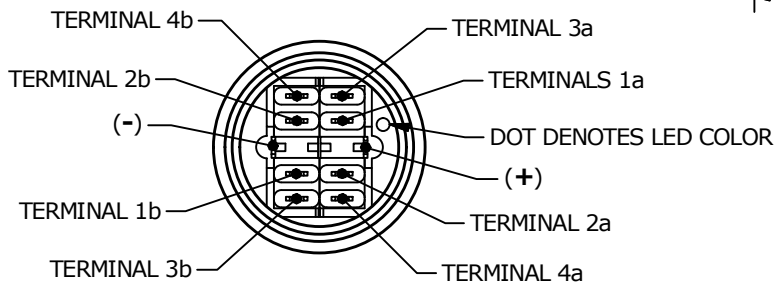
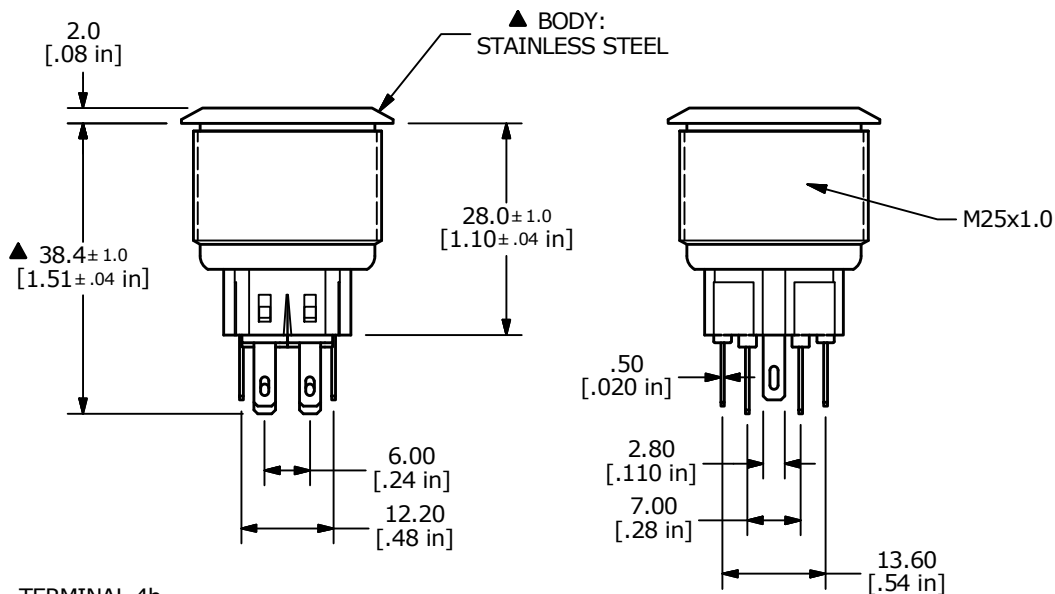
▲ SWITCH FUNCTION

POS. 1	POS. 2
1a-2a 1b-2b	(3a-4a) (3b-4b)

() = MOMENTARY



▲ DPDT ON-(OFF) / OFF-(ON)
CONTACT CONFIGURATION



NOTE:

- ALL DIMENSIONS IN MM [INCH]
- GENERAL TOLERANCE: X.X = ± 0.4
X.XX = ± 0.25
- TERMINAL NOS. FOR REF. ONLY
- RATING: 2A @ 48VDC
- ILLUMINATION VOLTAGE: 1.8V FORWARD, 1.8V REVERSE
- CONTACT RESISTANCE: 50mΩ MAX. @ 1A 12VDC
- INSULATION RESISTANCE: 1,000MΩ @ 500VDC
- DIELECTRIC STRENGTH: 2,000VAC MIN. FOR 1 MINUTE
- ELECTRICAL LIFE: 50,000 CYCLES
- OPERATING TEMPERATURE: -20°C to 55°C
- INGRESS PROTECTION: IP65
- SUPPLIED HARDWARE: O-RING AND HEXNUT
- ▲ DENOTES CRITICAL PARAMETER
- 2011/65/EU (ROHS) COMPLIANT



A	23335	RELEASE	4/26/18	MW
REV	PCR NO	DESCRIPTION	DATE	BY

TITLE PV8F2V0SS-351				
SCALE 1:1	DATE 4/26/2018	DR MW	DWG 52-PV8F2V0SS351	REV A

THE INFORMATION CONTAINED IN THIS DOCUMENT IS PROPRIETARY TO E-SWITCH AND IS NOT TO BE COPIED OR TRANSFERRED